

Tiandy



TC-H3169M Spec: 63X/LW/P/A/AR

16MP Panoramic PTZ Camera



Pro Series

KEY FEATURES

Panaromic Camera

- Four 1/1.8" CMOS
- Up to 5520x2400@30fps
- Horizontal: 180°, Verticle:85°
- Min. illumination Color: 0.0004Lux@F1.0
- Support region clipping
- Support distortion correction

PTZ Camera

- Up to 2560*1440@30fps
- Optical zoom: 63×, digital zoom 16×
- Support 3d position
- Laser Distance: 500m
- Auto-Tracking Early Warning (AEW)
- Auto Wiper
- IP66



Tiandy Technologies Co.,Ltd.

Email: sales@tiandy.com
Website: en.tiandy.com

Tel: +86-22-58596065
Fax: +86-22-58596048



SPECIFICATIONS

Camera	
Image Sensor	Panorama: 1/1.8" CMOS,Detail: 1/1.8" CMOS
Signal System	PAL/NTSC
Min. Illumination	Panorama: Color: 0.0004Lux@ (F1.0, AGC ON), BW: 0lux with IR
Shutter Time	1s to 1/100,000s
Day & Night	IR Cut Filter with Auto Switch
Optical Zoom	Detail: 63x
Digital Zoom	Detail: 16x
Lens	
Focal Length	Panorama: 2.8mm; Detail: 5.7-359mm
Zoom Speed	<5s
Field of View	Panorama: Horizontal: 180°, vertical: 85° Detail:Horizontal: 60° (w)~1.5° (t), vertical:35° (w)-0.9°(t)
Aperture Range	Panorama: F1.0; Detail: F1.6 ~ F5.0
Focus Control	Auto/Manual
Iris Control	Auto
Close Focus Distance	Detail:1 m~3 m
Pan&Tilt	
Pan Range	Detail: 0°~360°
Pan Speed	Panorama: Pan Manual Speed: 0.1°~200°/s°/s, Pan Preset Speed: 240°/s
Tilt Range	Detail: -21°-90° (Auto flip)
Tilt Speed	Detail:Pan Manual Speed: 0.1°~120°/s, Pan Preset Speed: 180°/s
3D Position	Yes
Preset	500
Preset Accuracy	±0.1°
Cruise	16, up to 32 presets per cruise
Scan	8
Pattern	8, each with 600s memory or 1000 orders
Scheduled Task	Preset, Cruise, Scan, Pattern, Alarm output
Park Action	Yes
Power-off Memory	Yes
Preset Freezing	Yes
Illuminator	
IR LEDs	11
IR Distance	Up to 300m
IR Irradiation Angle	Adjustable by Zoom
White LEDs	2, support white/blue/red light flash
Laser	6, Wavelength 850nm
Laser Distance	Up to 500m
Compression Standard	
Video Compression	S+265/H.265/H.264/M-JPEG
Video Bit Rate	32Kbps~16Mbps
Audio Compression	G.711A/G.711U/ADPCM_D/AAC_LC
Audio Sampling Rate	8kHz/32kHz/48kHz
Image	
Max. Resolution	Panorama: 5520x2400;Detail: 2560x1440
Main Stream	Panorama: PAL:25fps(5520x2400,4096x1800,3840x1680,2784x1200) NTSC:30fps(5520x2400,4096x1800,3840x1680,2784x1200) Detail: PAL:25fps(2560x1440,2304x1296,1920x1080,1280x720) NTSC:30fps(2560x1440,2304x1296,1920x1080,1280x720)

Tiandy

Sub Stream	Panorama: PAL:25fps(2048x896,1280x560,704x320) NTSC:30fps(2048x896,1280x560,704x320) Detail: PAL:25fps(704x576,704x288,352x288,640x360) NTSC:30fps(704x480,704x240,352x240,640x360)
Third Stream	Panorama: PAL:25fps (1280x560) NTSC:30fps (1280x560) Detail: PAL:25fps(704x576,704x288,352x288,640x480) NTSC:30fps(704x480,704x240,352x240,640x480)
BLC	Yes
HLC	Yes
WDR	Panorama:Digital;Detail: True WDR
Image Stabilization	Yes
Fog	Digital
White Balance	Yes
AGC	Yes
Noise Reduction	2D/3D
ROI	7 Dynamic Areas for Both Main and Sub Stream
Picture Overlay	Yes
Privacy Mask	Yes
Smart Defog	Yes
Image Setting	Saturation, brightness, contrast, sharpness, adjustable by client software or web browser
Flip	Yes
OSD	Panorama: 16x16, 24x24,32x32, 48x48, 64x64, 96x96, 128x128, adaptable size, letters such as Week, Date, Time, Total 5 Region Detail: 16*16/24*24/32*32/48*48/64*64/72*72/96*96, adaptable size, letters such as Week, Date, Time, Total 5 Region
Feature	
Alarm Trigger	Event Input, Event Output, Mask Alarm, Disk Full, Disk R/W Error, IP Address Conflict, MAC Address Conflict, FTP Server Exception
Video Analytics	Panorama: Tripwire, Double Tripwire, Heatmap Detail: Tripwire, Double Tripwire, Perimeter, Object Abandon, Object Lost, Loitering, Running, Parking, Heatmap, Crowd, People Counting, On Duty Detection, Video Abnormal, Audio Abnormal
Early Warning(EW)	Yes
Auto-Tracking	Yes
Face Detection and Analytics	
Operating Mode	Face capture, intelligent monitoring
Face Detection Performance	Detects up to 32 faces at the same scene
Face Exposure Brightness	Default 35, 1~100 brightness optional
Min. Face Pixel	29~2560 optional
Network	
Protocols	TCP/UDP/HTTP/MULTICAST/UPnP/DHCP/PPPoE/DDNS/NFS/FTP/NTP/RTSP/IPv6/IPv4/SNMP/SMTP/RTMP/802.1X
System Compatibility	ONVIF (PROFILE S/T/G/M), SDK, CGI, P2P
ANR	Auto store video in SD card when NVR disconnected, and upload video to NVR when resumed connection (Only Support Tiandy ANR NVR)
Remote Connection	≤7
User/Host	Up to 32 users. 4 user levels
Web Version	web6

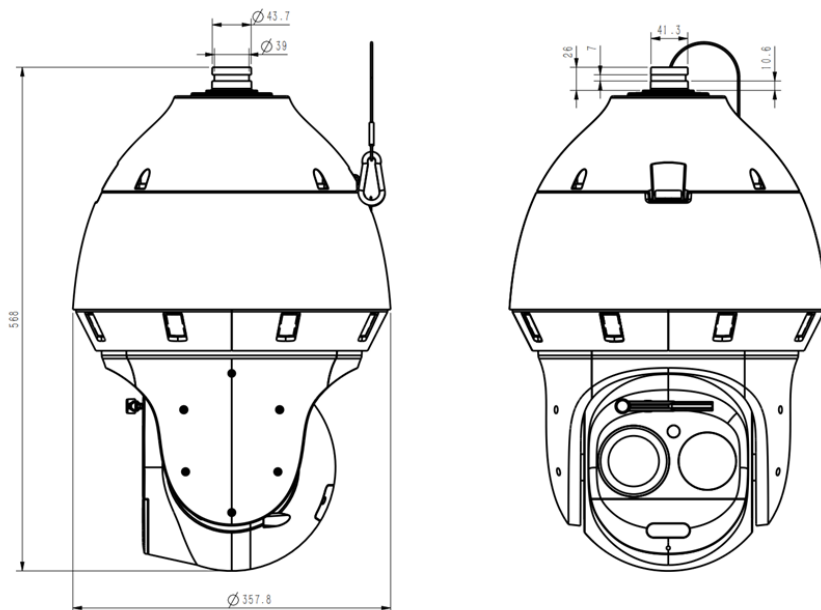
Tiandy

Interface	
Communication Interface	1 RJ45 100M/1000M self adaptive Ethernet port
Audio I/O	1/1
Alarm I/O	8/2
Built-In Speaker	Yes
Reset Button	Yes
On-board storage	Built-in Micro SD card slot, up to 512 GB
RS-485	Yes
BNC	Yes(Debugging use)
Wiper	Yes
Electronic Compass	Yes
GPS/BDS	N/A
General	
Protection	IP66 , TVS 6000V lightning protection, surge protection and voltage transient protection
Web Client Language	17 languages Simple Chinese/ Traditional Chinese/ English/ Spanish/ Korean/ Italian/ Turkish/ Russian/ Thai/French/ Polish/ Dutch/ Hebrewism/ Arabic/ Vietnamese/ German/ Ukrainian
Operating Conditions	-40°C~70°C (IR OFF), -40°C~40°C (IR ON), 0-95%RH
Power Supply	DC36V±25%
Power Consumption	76W MAX
Heater	Yes
Material	ADC 12
Package/Boundary Dimensions	565mm(L)*485mm(W)*750mm(H) /358mm(L)*358mm(W)*568mm(H)
Gross/Net Weight	21.7kg (14.8kg)

* Listed resolutions are only selectable options. It does not mean that all streams can work at their maximum resolution at the same time.

Tiandy

DIMENSIONS (Unit: mm)



ACCESSORIES



DF20Y
Wall Mount

OPTIONAL



A36
Pole Mount



DF21Y
Pendant Mount



A35
Corner Mount



811
Junction Box

DISTRIBUTED BY



Tiandy Technologies Co.,Ltd.

Email: sales@tiandy.com

Tel: +86-22-58596065

Website: en.tiandy.com

Fax: +86-22-58596048